

Blaumar S1

Description

Self-priming centrifugal pump designed for recirculation and filtration of water in home or community swimming pools up to 176 m³. High-capacity pre-filter with transparent cap, anti-blocking seal and drainage spout. Supplied with suction and impulsion adaptors.

Materials

Pump casing, pump base, diffuser, impeller and seal mounting in technopolymer.

Stainless-steel drive shaft.

Mechanical seal in graphite and alumine.

Aluminium motor casing.

Windings mechanism impregnated with epoxy resin.

NBR gaskets.

Motor

Dual-pole, asynchronous. IP55 protection.

Class F insulation. Continuous operation.

Safety system anti-blockage and dry operation protection.

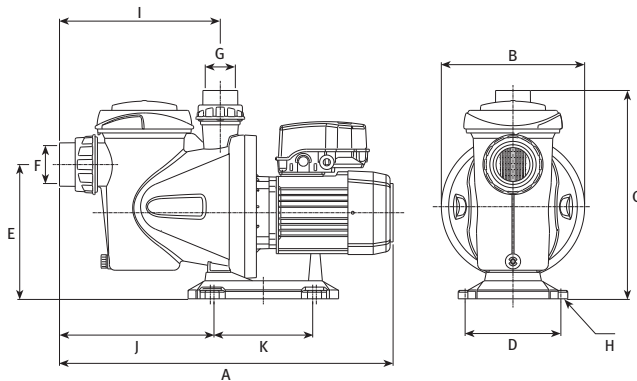
TAG - RFID with pump identification details.

Operation time and number of starts and stops registration.

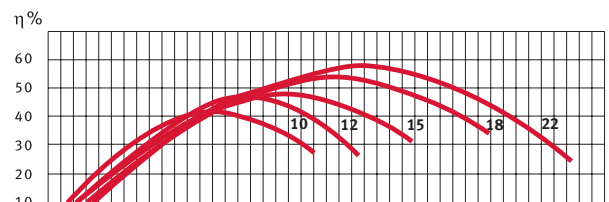
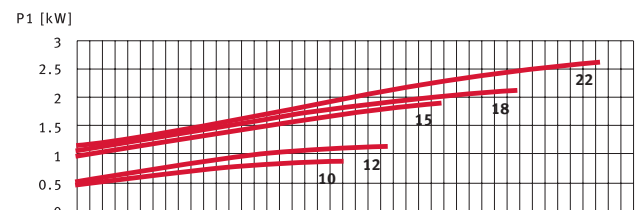
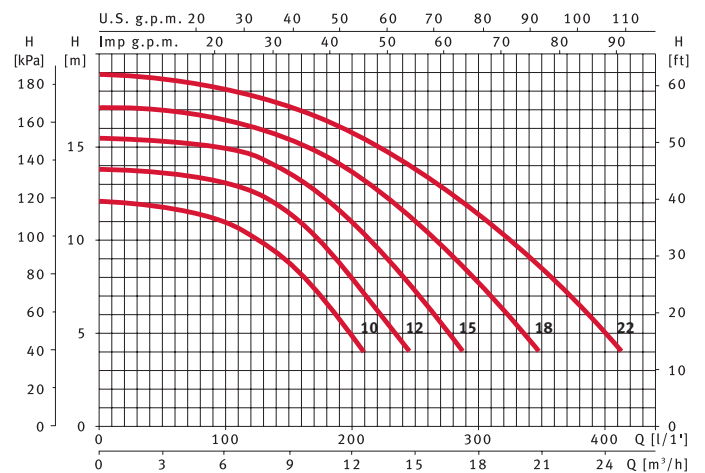
Single-phase version with built-in thermal protector.



Dimensions



Model	A	B	C	D	E	F	G	H	I	J	K
S1 60-10	555	238	347	159	224	50	50	9	267	257	164
S1 60-12	555	238	347	159	224	50	50	9	267	257	164
S1 75-15	555	238	347	159	224	50	50	9	267	257	164
S1 100-18	555	238	347	159	224	63	50	9	267	257	164
S1 150-22	577	238	347	159	224	63	50	9	267	257	164



Model	Reference		I (A)			P1 (kW)		P2		c	Ø Suc. (mm)	Unitary packaging											
	Single-phase	Three-phase	230 V	230 V	400 V	1~	3~	(kW)	(HP)			μF	l/min	80	120	160	215	265	290	350	400	m ³	Kg
S1 60-10	126742	126740	3	2,1	1,2	0,7		0,44	0,60	16	50		11,2	10,2	8						0,048	9,4	12
S1 60-12	126746	126744	3,7	2,6	1,5	0,8	0,8	0,44	0,60	16	50		13,2	12,6	10,9	6,7					0,048	9,4	12
S1 75-15	126750	126748	5,5	3,8	2,2	1,1	1	0,55	0,75	16	50	mvc	15	12,5	13,1	9,9	6				0,048	10,7	12
S1 100-18	126754	126752	6,2	4,3	2,5	1,2	1,2	0,75	1	16	63		16,5	16	15	12,9	10	8,4			0,048	11,4	12
S1 150-22	126758	126756	7,1	5,1	2,9	1,6	1,6	1,1	1,50	25	63		18,2	17,7	16,9	15,1	13	11,9	8,4	5,1	0,048	13,6	12