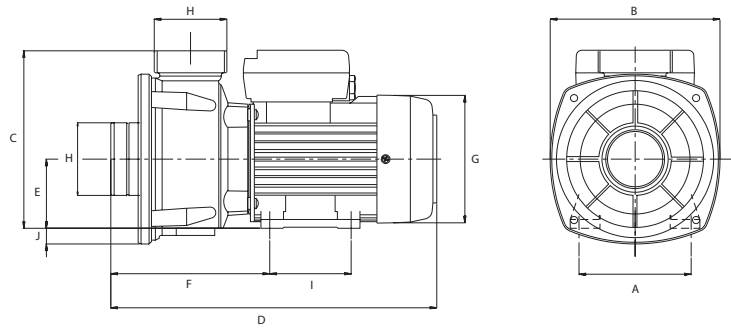
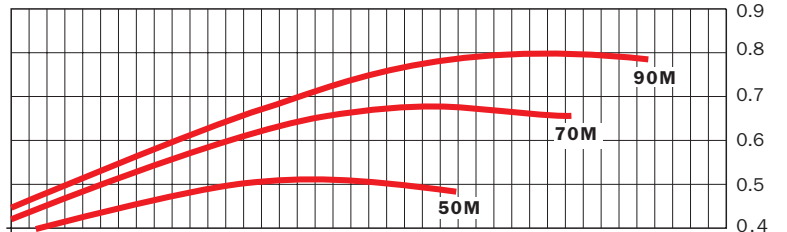
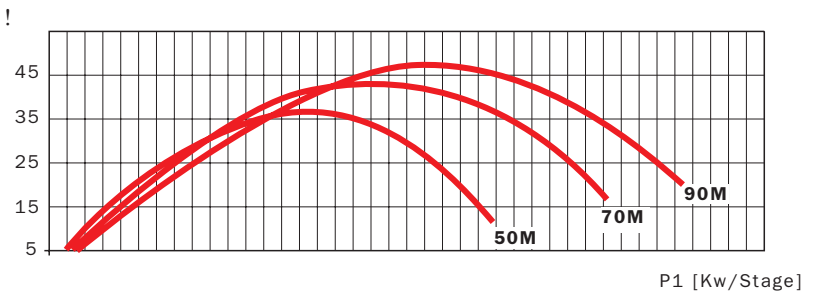
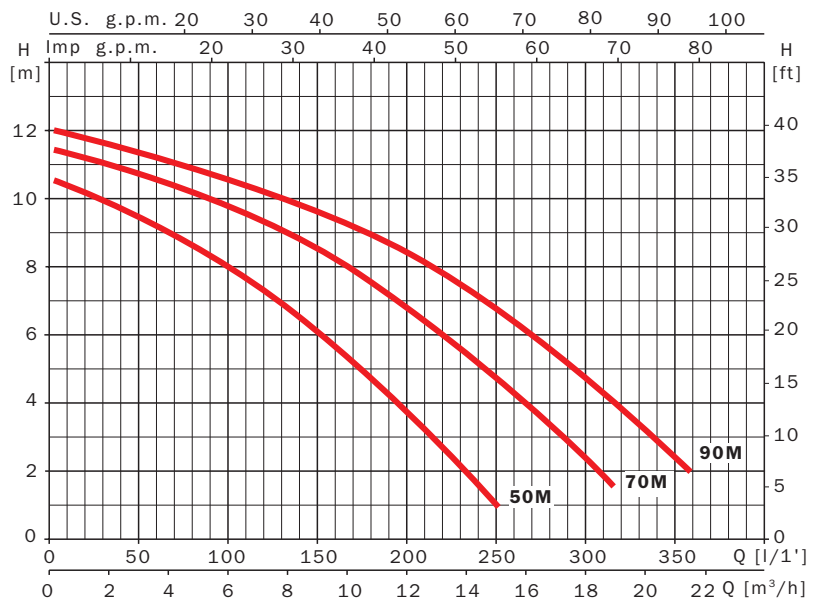


# Wiper 0



	A	B	C	D	E	F	G	H	I	J	Kg
<b>Wiper0 50 M</b>	102	154.5	162	295.5	63	144.5	116	2 <sup>1/4"</sup>	74	15	5.7
<b>Wiper0 70 M</b>	102	154.5	162	295.5	63	144.5	116	2 <sup>1/4"</sup>	74	15	6
<b>Wiper0 90 M</b>	102	154.5	162	295.5	63	144.5	116	2 <sup>1/4"</sup>	74	15	6.8



230 V 50 Hz	230/400 V 50 Hz	A			P1 (kW)		kW	HP	μF	I/1' m³/h	25 1.5	50 3.0	100 6.0	150 9.0	200 12	250 15	300 18	350 21
		1~ 230 V	3~ 230 V	400 V	1~	3~												
<b>Wiper 0 50M</b>		2.3			0.5		0.24	0.33	12	10	9.4	7.9	6.0	3.6	1			
<b>Wiper 0 70M</b>		2.9			0.64		0.37	0.5	12	11	10.6	9.7	8.5	6.6	4.5	2.2		
<b>Wiper 0 90M</b>		3.74			0.85		0.74	1.0	12	11.7	11.3	10.5	9.6	8.4	6.7	4.6	2.2	