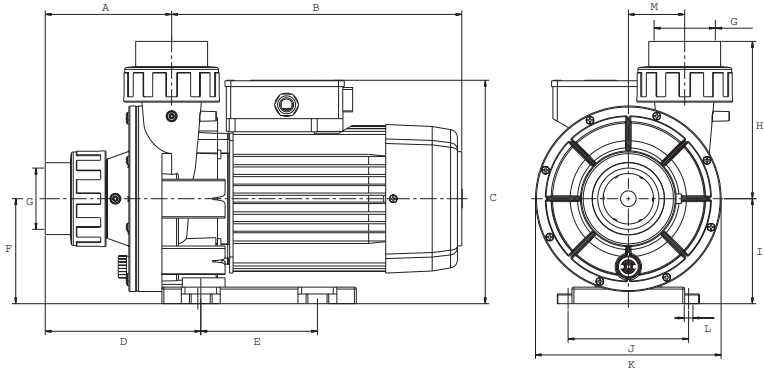
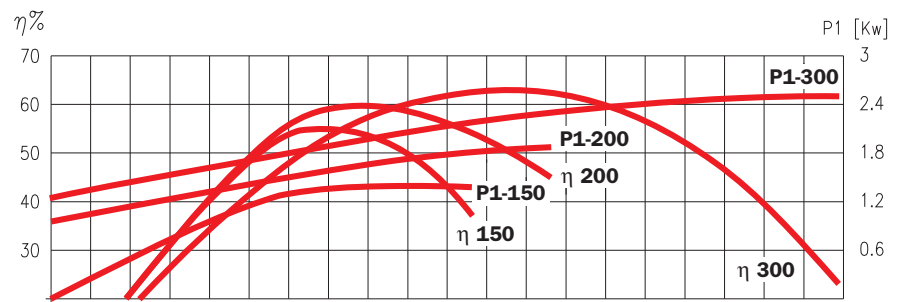
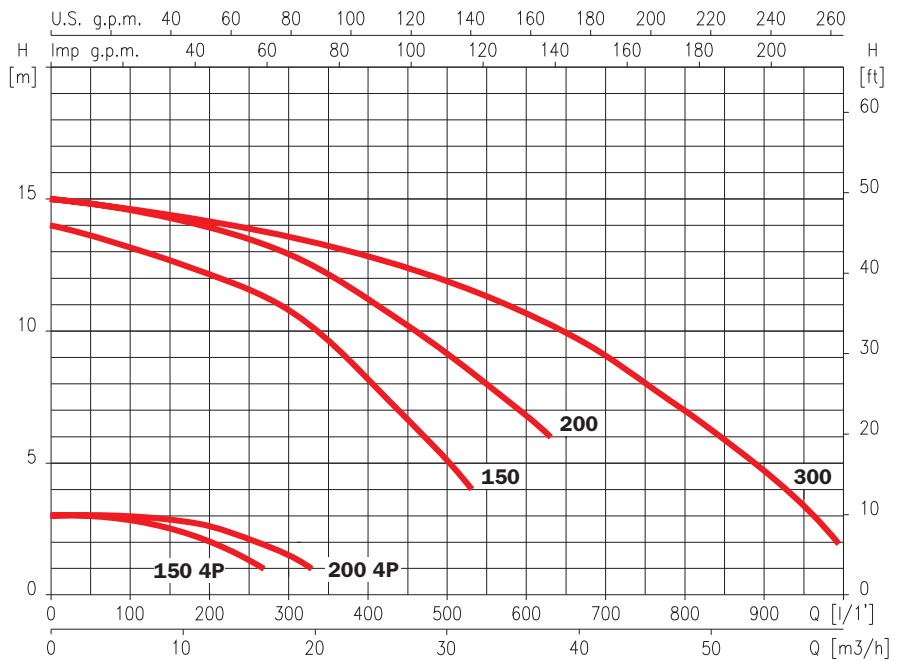




# Wiper 3



	A	B	C	D	E	F	G	H	I	J	K	L	M	Kg
<b>Wiper3 150 M</b>	130	298.7	230	160	120	108	63	162	108	124	191	9	29	14.3
<b>Wiper3 200 M</b>	130	298.7	230	160	120	108	63	162	108	124	191	9	29	17
<b>Wiper3 300 M</b>	130	298.7	230	160	120	108	63	162	108	124	191	9	29	18.8



Curvas de funcionamiento a 2900 r.p.m.  
Performance curves at 2900 r.p.m.

230 V 50 Hz	230/400 V 50 Hz	A			P1 (kW)		kW	HP	μF	l/1'	50	100	200	300	400	500	600	900
		1~ 230 V	3~ 230 V	3~ 400 V	1~	3~					3.0	6.0	12	18	24	30	36	54
Wiper3 150M	2P Wiper3 150	6.4	5	2.9	1.4	1.2	1.1	1.5	25		13.3	13	12.1	10.8	8.2	5		
	4P	1.4	-	-	0.35	-	0.18	0.25	16		3	2.8	2					
Wiper3 200M	2P Wiper3 200	8.8	6.6	3.8	2	1.8	1.5	2	40		14.8	14.5	13.9	12.9	11.1	9.1	6.8	
	4P	1.7	-	-	0.4	-	0.18	0.25	16		3	2.8	2.6	1.5				
Wiper3 300M	Wiper3 300	11	7.1	4.1	2.5	2.4	2	3	60		14.8	14.5	14.1	13.5	12.8	11.9	10.7	4.7